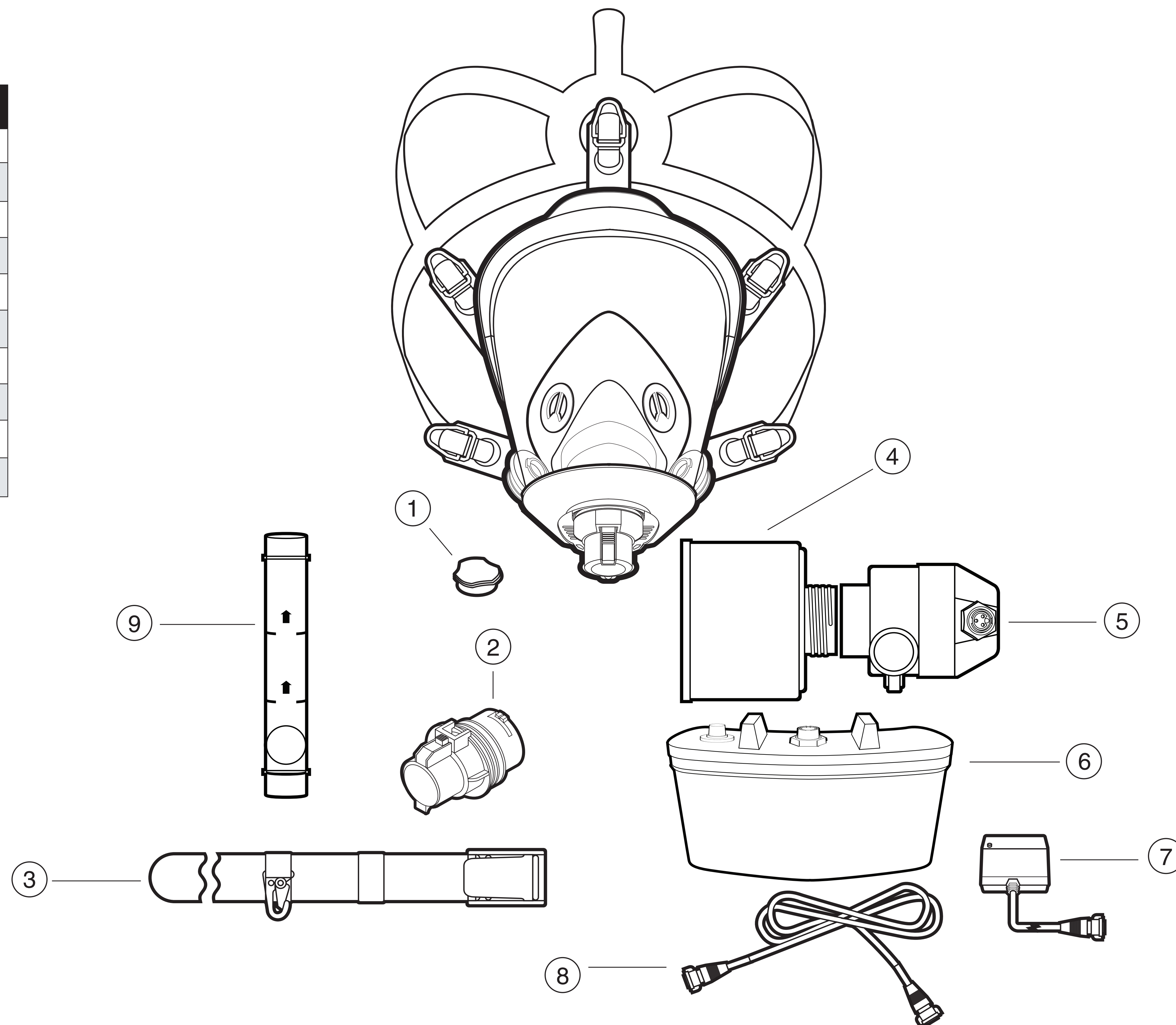


Respiratory Replacement Parts Guide

Powered Air-Purifying Respirator (PAPR): PR500 Series

| Diagram Number | Part # | Description |
|----------------|--------------|-----------------------------|
| 1 | 805007 | Cartridge Connector Cap |
| 2 | 50123586-001 | Nozzle Adapter Assembly |
| 3 | 985231 | Belt, Nylon |
| 4 | 108000-H5 | HEPA Cartridge (box of 4) |
| 4 | 108044 | HEPA Cartridge (case of 84) |
| 5 | 520020 | Blower Unit |
| 6 | 520060 | Battery Pack |
| 7 | 520073 | Battery Charger |
| 8 | 520030 | Power Cord |
| 9 | 580012 | Air Flow Meter |



▲WARNING! Failure to inspect and correctly maintain your supplied air system and/or to replace any damaged components, including the breathing tube and block assembly, head cover, all couplers and breathing air hose, the air supply source, and all other components of this system can result in the unit not operating correctly and will expose the user to serious illness, injury or death. Carefully follow all of the cleaning and maintenance procedures outlined in the PR500 Series Operating and Maintenance Instruction Manual.

For more information contact:
Honeywell Technical Service
800.873.5242 – option 2 for Respiratory
www.honeywellsafety.com