

# PRODUCT SUBMITTALS

## 301EMRP- REMOTE PANEL



### ORDERING INFORMATION

- 301EMRP Expansion Module remote panel, w/ 3-24VDC Outputs, 4 relays.
- 301EMRP-RFS Expansion Module remote panel, w/ 3-24VDC Outputs, 4 relays, Strobe Light.
- 301EMRP-RFSA Expansion Module remote panel, w/ 3-24VDC Outputs, 4 relays, Strobe Light & Horn.

### 301EMRP SPECIFICATIONS

<b>Standard Outputs:</b>	4 DPDT relays 3 Outputs at 24 Vdc @ 250 mA each
<b>Audible Alarm:</b>	65 dBA @ 3 foot (1 m)
<b>Display :</b>	Backlit LCD
<b>Visual Indicators:</b>	Green LED: Normal operation Red LEDs: Alarm A, B and C Yellow LED: Fault/service alarm Amber LED: Tx (When Transmitting to the 301EM)
<b>Maximum distance between 301EM and 301EMRP:</b>	1000 ft. (from 301EM to the last 301EMRP)
<b>Relay Output Rating:</b>	5A, 30Vdc or 250Vac (resistive load)
<b>Circuit Protection:</b>	Long Time-Lag Polyswitch Type TT
<b>Over voltage Category:</b>	II
<b>Power Requirement:</b>	22-27 Vac, 50 or 60 Hz, 29-38Vdc, 2.0 A max @ 24 Vdc
<b>Operating Environment:</b>	Indoor Use
<b>Operating Temperature Range:</b>	32°F to 100°F (0 to 40°C)
<b>Operating Humidity Range:</b>	0 to 95% RH (non-condensing)
<b>Operating Altitude:</b>	Up to 9843 feet (3,000 m)
<b>Enclosure:</b>	ABS - Polycarbonate
<b>Pollution Degree:</b>	2
<b>Transmitter Size:</b>	7.99" (H) x 11.02"(W) x 2.76" (D) (20.3 x 28 x 7 cm)
<b>Transmitter Weight:</b>	2.26 lbs (1.02 kg)
<b>Certification</b>	UL 1244 - Fourth edition, October 2000 CSA C22.2 No 205-M1983 (R1999)

### OPTIONS

- RFS Strobe:** STAS flashing LED, 24VAC/VDC
- RFSA Strobe/Horn:** 105dBA, 4-28V, 2800Hz (RFSA)  
Min. Voltage 80 dB(A) min. @ 2 FT and 6 Vdc  
Max Voltage 90 dB(A) min. @ 2 FT and 28 Vdc

# PRODUCT SUBMITTALS

## 301EMRP- REMOTE PANEL

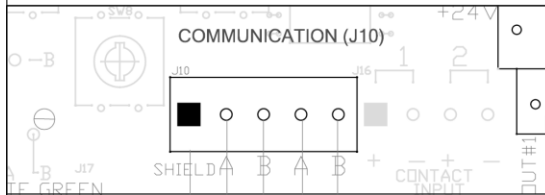
### WIRING DETAILS 301EMRP



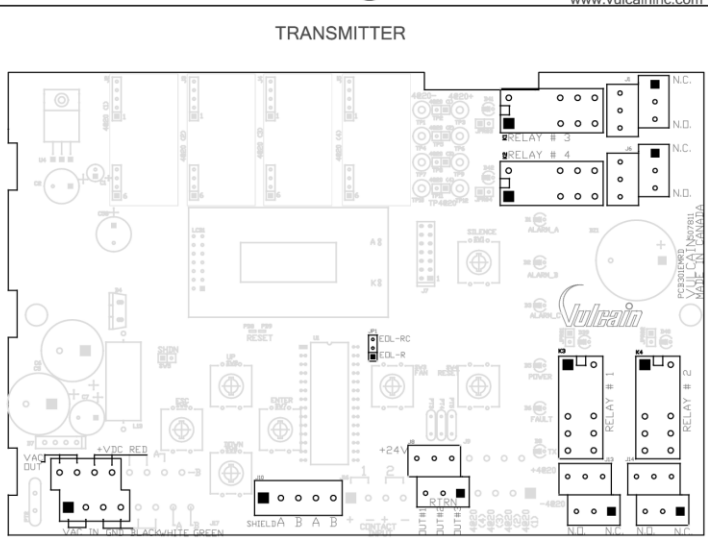
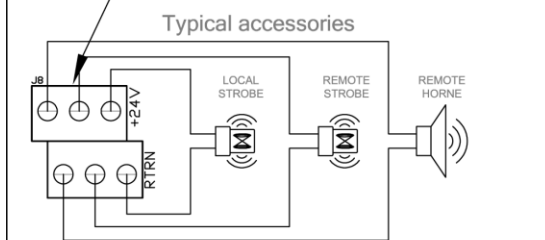
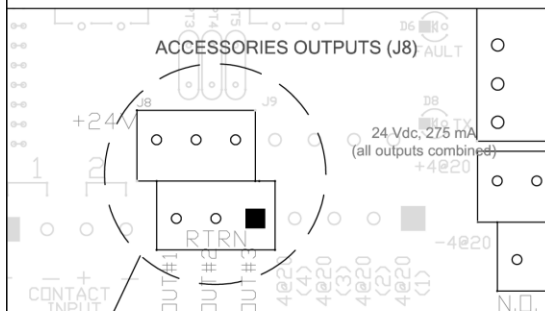
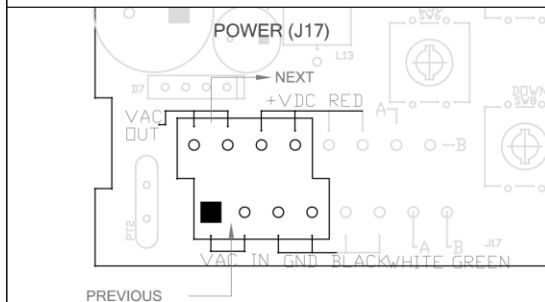
### VA301EMRP WIRING DETAILS PAGE 1/2

(REMOTE PANEL)

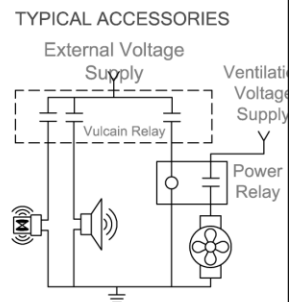
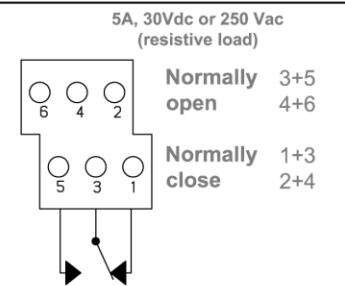
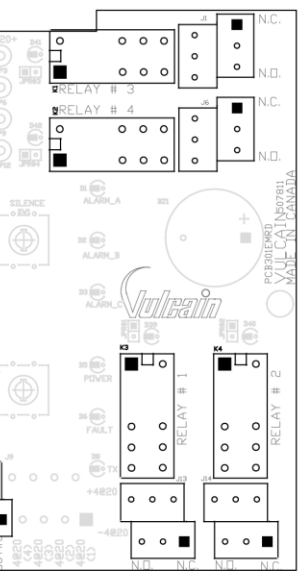
4005 Matte Local G,  
Brossard, Quebec,  
J4Y 2P4  
Tel. :1-800-563-2967  
Fax.:1-888-967-9938  
www.vulcaininc.com



PREVIOUS NEXT  
see connection  
VA301EM / VA301EMRP  
on page 2



RELAY OUTPUTS (J1-J6-J13-J14)  
5A, 30Vdc or 250 V(resistive load)



NOTE:  
COMMUNICATION CABLE GAUGE = BELDEN # 9841 24 AWG  
POWER CABLE GAUGE = SEE YOUR WIRING DIAGRAM  
MAXIMUM DISTANCE BETWEEN VA301EM AND THE LAST VA301EMRP = 1000 FT.

	CREATION DU DOCUMENT	MUTH MIHAI	18 mars 2005	TITRE	VA301EMRP WIRING DETAILS (REMOTE PANEL) PAGE 1/2		
REV NO	DESCRIPTION	PAR	DATE	APPROUVE PAR / DATE	J.C.	DESSIN NO.	ÉCHELLE
	RÉVISION						

# PRODUCT SUBMITTALS

## 301EMRP- REMOTE PANEL

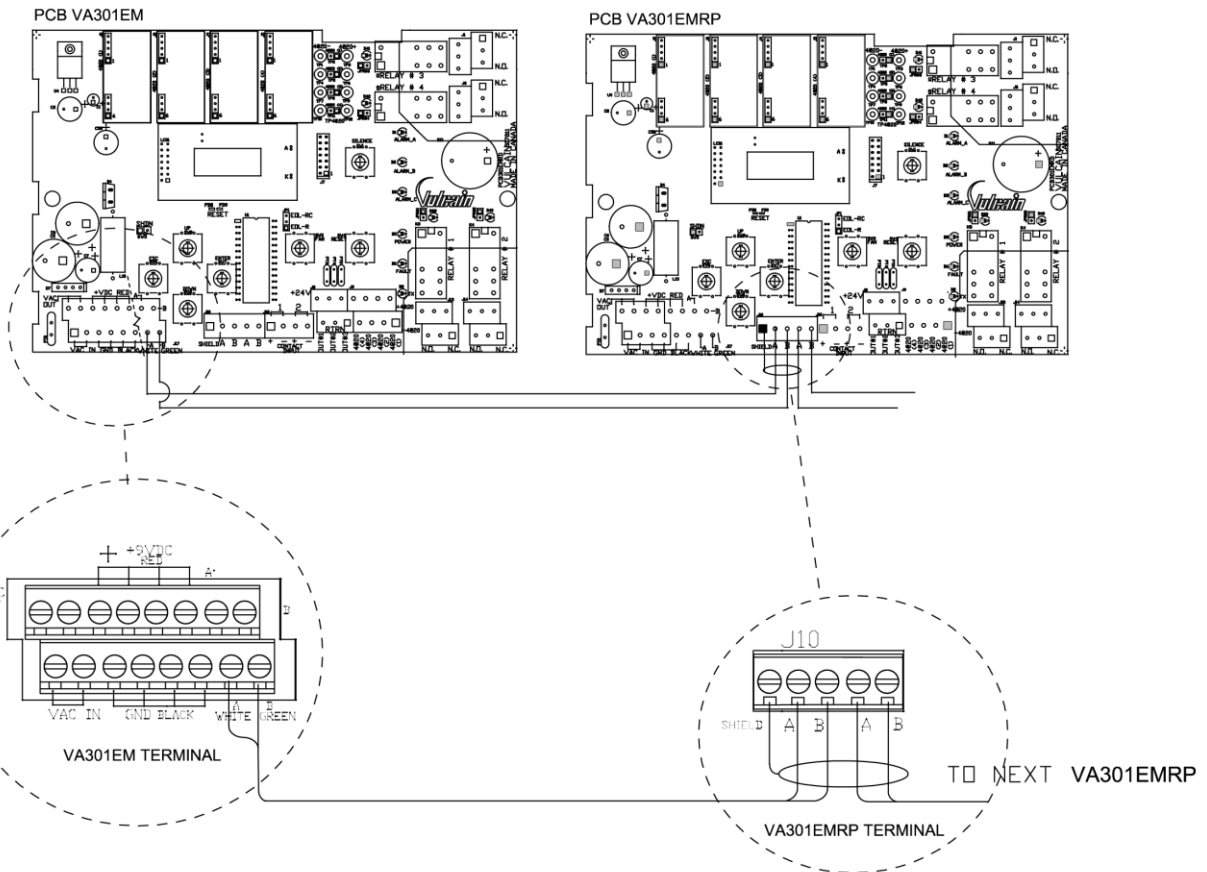
### WIRING DETAILS 301EM - 301EMRP



### VA301EMRP WIRING DETAILS PAGE 2/2 (REMOTE PANEL)

4005 Matte Local G,  
Brossard, Quebec,  
J4Y 2P4  
Tel. : 1-800-563-2967  
Fax.: 1-888-967-9938  
www.vulcaininc.com

#### VA301EM / VA301EMRP COMMUNICATION CONNECTION



	CREATION DU DOCUMENT	MUTH MIHAI	18 mars 2005	TITRE VA301EMRP WIRING DETAILS (REMOTE PANEL) PAGE 2/2		
REV NO	DESCRIPTION	PAR	DATE	APPROUVE PAR / DATE	DESSIN NO.	ÉCHELLE
	RÉVISION			J.C.		

# PRODUCT SUBMITTALS

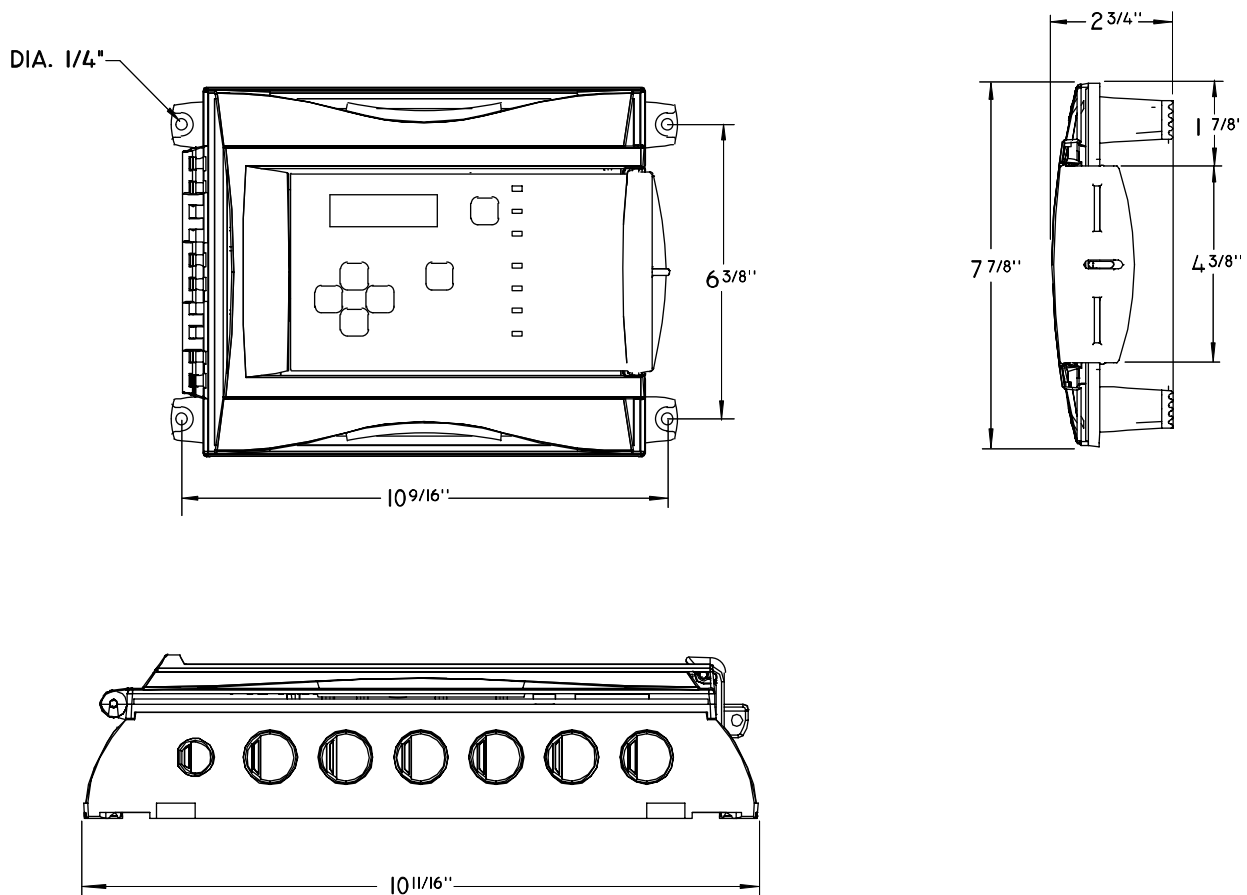
## 301EMRP- REMOTE PANEL

### INSTALLATION GUIDELINES

These guide lines **must be strictly observed** to assure that the equipment will work properly. If they are not applied, Vulcain will not recognize any liability in case of improper operation:

- Make sure to locate all units easily accessible for proper service.
- Avoid any location where units could be subject to vibrations.
- Avoid any location close to any electromagnetic interference.
- Avoid any location where there are large temperature swings.
- Verify local requirements and existing regulations witch may affect the choice of location.

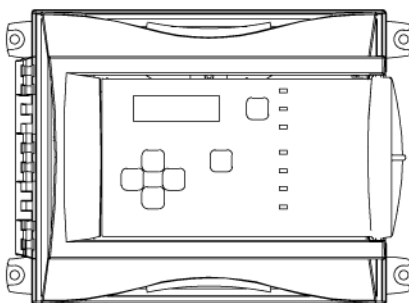
### SURFACE-MOUNT INSTALLATION



# PRODUCT SUBMITTALS

## 301EMRP- REMOTE PANEL

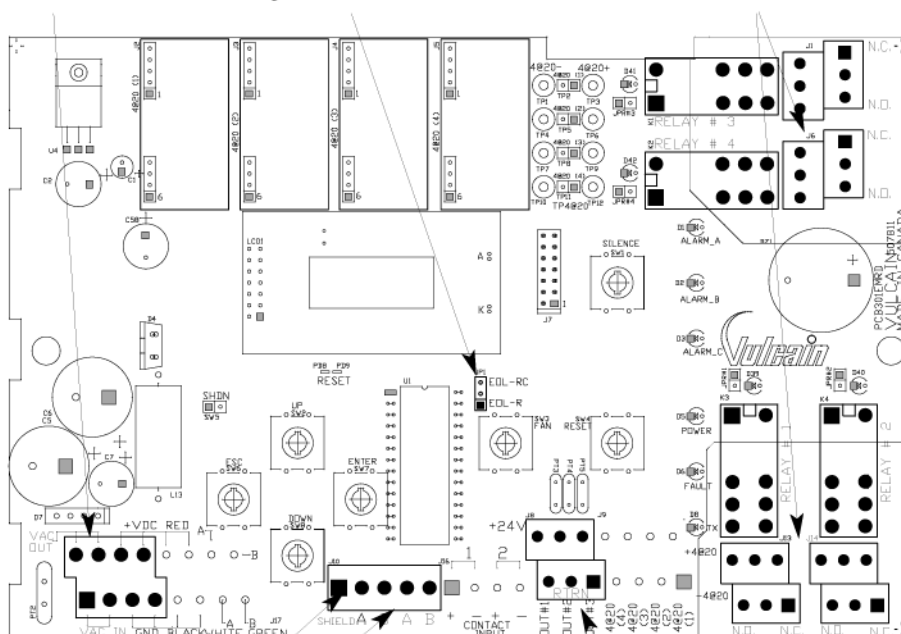
PCB WIRING DETAIL 301EMRP



Power:  
J17  
22 to 27 Vac,  
29 to 38 Vdc,  
2.0A max

End of line:  
JP1 To determine a transmitter  
to be the last in the network,  
place the jumper in an upright  
position aligned at the top.

Relay Output:  
J13, J14, J1, J6  
5A, 30 Vdc  
or 250 Vac  
(resistive load)



Communication Shield

Communication: J10  
Length of line: Up to 1000 feet (305 m) from VA301EM  
T-tap: 65 ft. (20 m) maximum per t-tap  
130ft. (40 m) total  
From controller or previous unit  
To next unit if applicable.

Output 24 Vdc: B  
Three 24 Vdc outputs (can be use to  
activate horn, strobe, etc.)

# PRODUCT SUBMITTALS

## 301EMRP- REMOTE PANEL



### WARRANTY AND LIMITS OF LIABILITY

Honeywell warrants to the original purchaser that its product and the component parts thereof will be free from defects in workmanship and materials for a period of one year from the date of purchase. Without any charge and at its option, Honeywell will repair or replace defective products or components upon their delivery to its Repair and Service Department. This warranty does not apply in the event of misuse or abuse of the product, or as a result of unauthorized alterations or repairs. Honeywell shall not be liable for any consequential damages, including and without limitation, damages resulting from loss of use. Every precaution for accuracy has been taken in the preparation of this manual. However, Honeywell neither assumes responsibility for any omissions or errors that may appear, nor liability for any damages that may result from the use of the products in accordance with the information contained in this manual. To obtain warranty service, return the product, along with a complete description of the defect, transportation prepaid. Honeywell assumes no risk for damage in transit. Following warranty repair, the product will be returned to the buyer, transportation prepaid.