

Miller "P" Series Rigid Rail System

Description

The Miller "P" Series System provides a safe and reliable portable rigid rail solution for many locations such as mines, quarries, or any areas that require temporary fall protection. Each system includes one beam trolley (additional beam trolley sold separately) and a tagline assist kit which provides the ability to store the tagline when not in use. A harness and self-retracting lifeline are not included.

Materials

General Construction: Welded Steel
Finish: Polyurethane paint on structure, zinc plated fasteners

Technical

Max. Capacity: For FSPSPH - one worker at 310 lbs. (141 kg); All others - two workers at 310 lbs. (141 kg) each

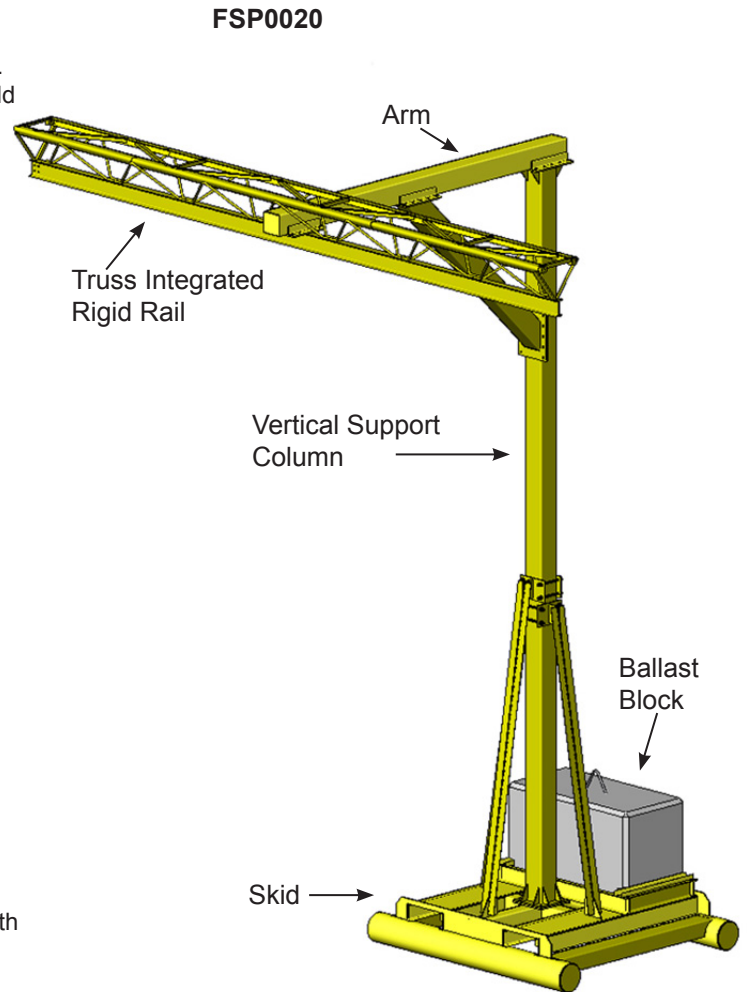
Design Factor: 2:1 for 900 lb. maximum arresting force

Maximum Work Radius: 5 ft. (1.5 m)

Proof Load: 1800 lb. (8kN) per worker, in direction of fall

Coverage Options: 20 ft. (6.1 m), 40 ft. (12.2 m) and 60 ft. (8.3 m) lengths - coverage may vary depending on the application and available fall clearance

Forklift Requirements: For FSPSPH and FSP0020: 6 ton (5.4 t) lifting capacity, minimum fork spacing of 2.5 ft. (0.8 m) and fork length of 6.75 ft. (2.1 m); for FSP0040 and FSP0060: 12 ton (10.9 t) lifting capacity, lifting capacity, minimum fork spacing of 2.5 ft. (0.8 m) and fork length of 6.75 ft. (2.1 m)



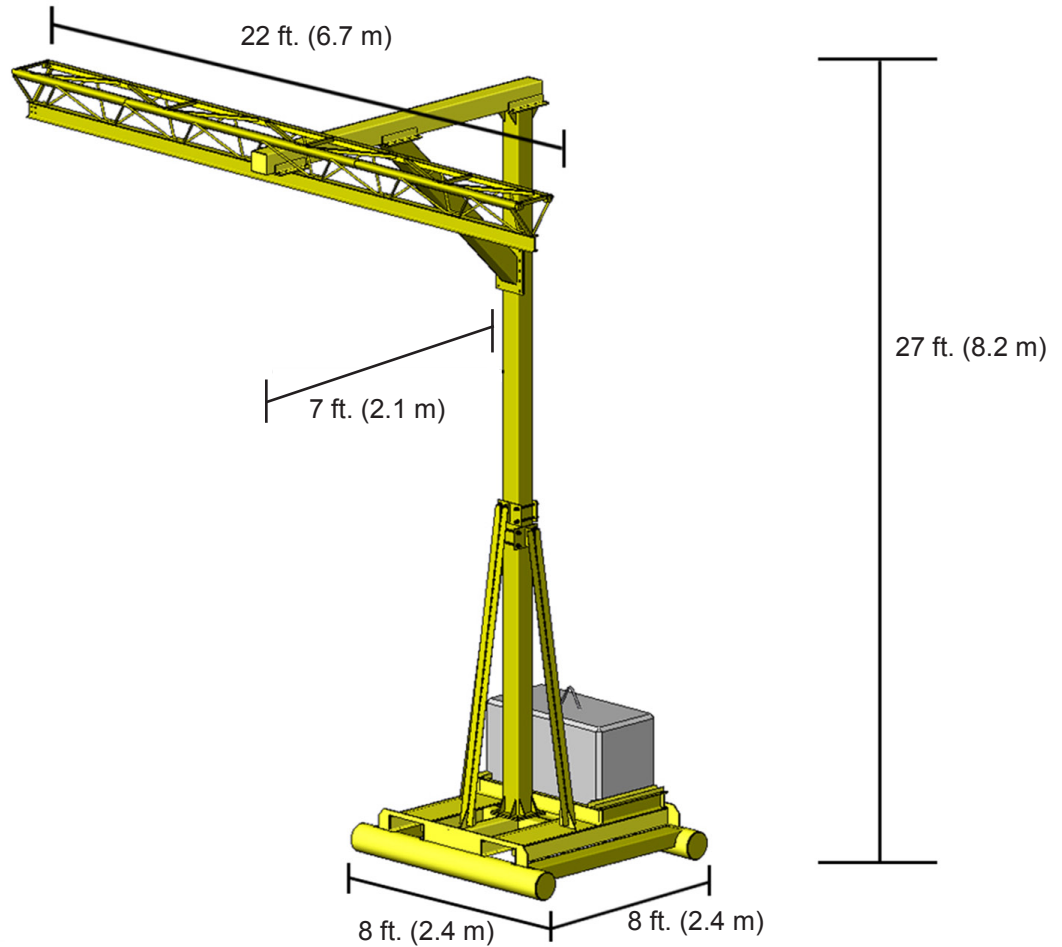
Compliance

Meets OSHA 1926.502, Subpart M requirements.

Part Number	Description	Height	Rail Length	Arm Length	Base Depth	Base Length	Weight	Ballast Block Weight	Total System Weight
"P" System - Each system includes a tagline assist kit, providing the ability to store the tagline when not in use.									
FSP0020	Rigid rail system for up to (2) two workers with one beam trolley (additional beam trolley sold separately)	27 ft. (8.2 m)	22 ft. (6.7 m)	7 ft. (2 m)	8 ft. (2.4 m)	8 ft. (2.4 m)	4,812 lbs. (2,183 kg)	5,550 lbs. (2,517 kg) (Qty.1)	10,362 lbs. (4,700 kg)
FSP0040	Rigid rail system for up to (2) two workers with one beam trolley (additional beam trolley sold separately)	26 ft. (8 m)	39 ft. (12 m)	13 ft. (4 m)	8 ft. (2.4 m)	10 ft. (3 m)	8,142 lbs. (3,693 kg)	7,649 lbs. (3,470 kg) each (Qty.2)	23,440 lbs. (10,632 kg)
FSP0060	Rigid rail system for up to (2) two workers with one beam trolley (additional beam trolley sold separately)	26 ft. (8 m)	57 ft. (17.4 m)	13 ft. (4 m)	8 ft. (2.4 m)	10 ft. (3 m)	8,630 lbs. (3,915 kg)	7,649 lbs. (3,470 kg) each (Qty.2)	23,928 lbs. (10,854 kg)
FSPSPH	Single point anchorage system (rigid rail not included)	25 ft. (7.6 m)	N/A	7 ft. (2 m)	8 ft. (2.4 m)	8 ft. (2.4 m)	4,212 lbs. (1,911 kg)	5,550 lbs. (2,517 kg) (Qty. 1)	9,762 lbs. (4,428 kg)

Miller "P" Series Rigid Rail System

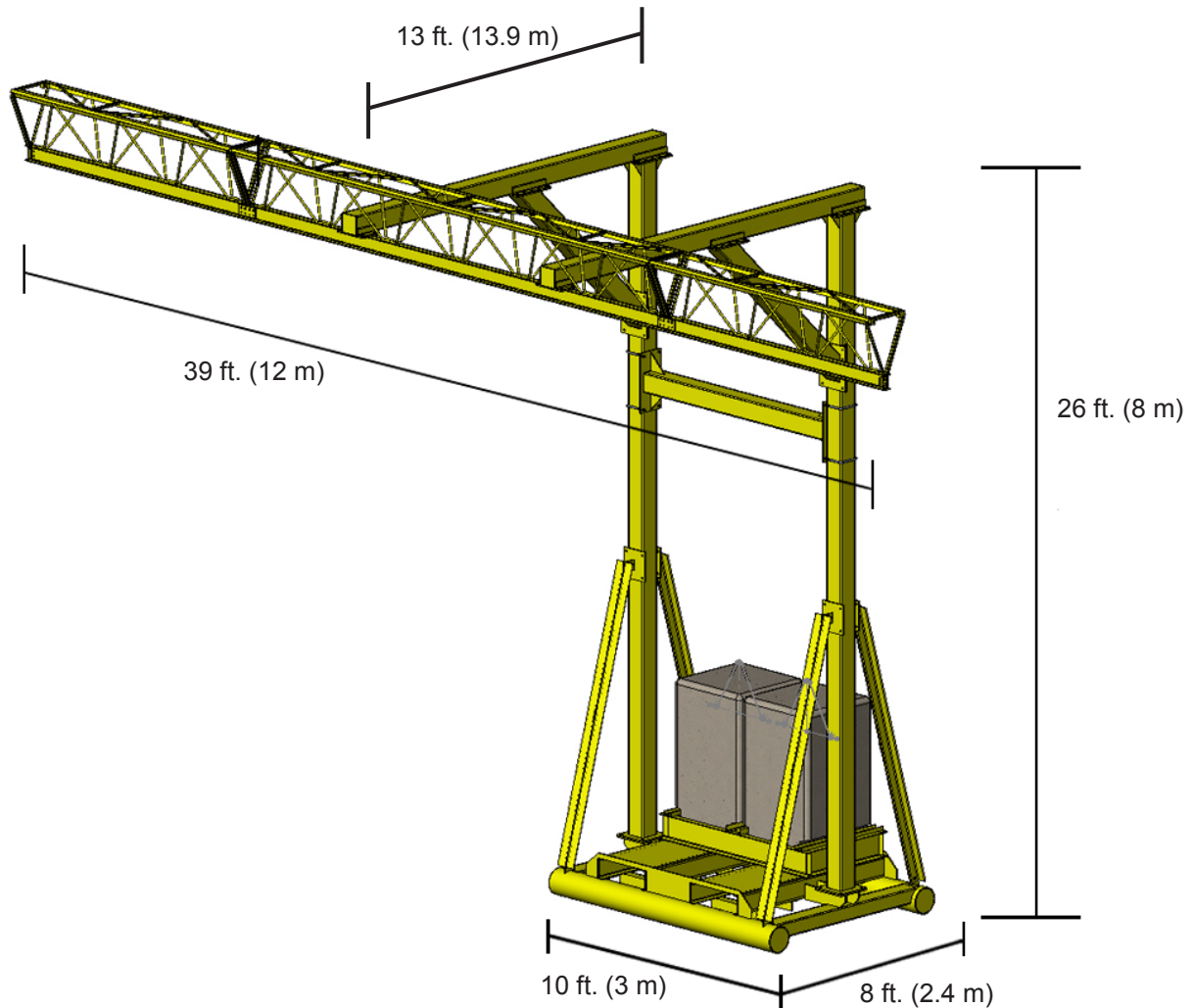
FSP0020 Product Dimensions



Total System Weight for FSP0020: 10,362 lbs. (4.7 t)

Miller "P" Series Rigid Rail System

FSP0040 Product Dimensions



Total System Weight for FSP0040: 23,440 lbs. (10.6 t)



by Honeywell

Toll Free 800.873.5242 (press 4) • hsptechsupport@honeywell.com • www.millerfallprotection.com

⚠ WARNING! THIS DOCUMENT PROVIDES AN OVERVIEW OF FALL PROTECTION PRODUCTS AVAILABLE FROM HONEYWELL AND CARE HAS BEEN TAKEN TO ASSURE THE ACCURACY OF THE DATA. IT DOES NOT PROVIDE IMPORTANT PRODUCT WARNINGS AND INSTRUCTIONS. HONEYWELL RECOMMENDS ALL USERS OF FALL PROTECTION EQUIPMENT UNDERGO THOROUGH TRAINING, AND THAT ALL WARNINGS AND INSTRUCTIONS PROVIDED WITH THE PRODUCTS BE THOROUGHLY READ AND UNDERSTOOD PRIOR TO EACH USE. FAILURE TO READ AND FOLLOW ALL PRODUCT WARNINGS AND INSTRUCTIONS COULD RESULT IN SERIOUS INJURY OR DEATH.