

Miller 10,000 lb. (10K) Swivel Hybrid Anchor

Description

The Miller 10K Swivel Hybrid Anchor combines the technology of the new Swivel Anchor and the Miller Grip™ Anchor, resulting in a high-strength Swivel Anchor that can be removed and simply re-installed in a new location.

Materials

Swivel: Zinc plated steel
 Bushing: Polyurethane
 Bolt: Zinc plated steel
 Sleeve: Zinc plated steel
 Cone: Stainless steel
 Spoons : Stainless steel
 Return Wire: Aircraft cable
 Retaining Bushing: Zinc plated steel

Technical

Ultimate Tensile Strength: 10,000 lbf. (44 kN)
 Maximum User Weight: 310 lbs. (140 kg)
 Working Load: 2,000 lbs. (908 kg)

Certifications

Meets all ANSI Z359.1-2007, Z359.7-2011 and OSHA 1926.502 requirements.

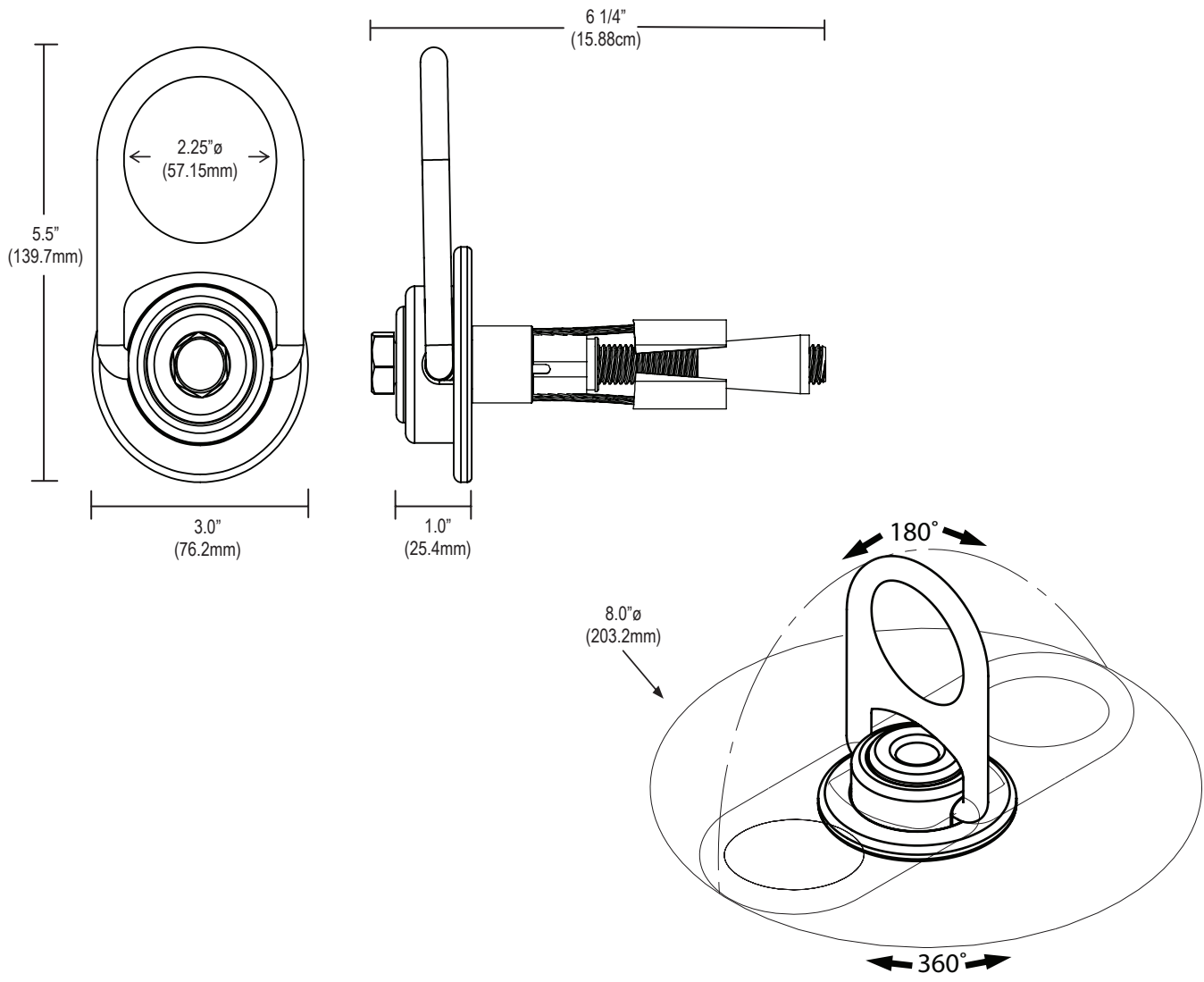


RACSWH100Y

Miller Hybrid 10,000 lb. (10K) Swivel Hybrid Anchor				
Model	Application	Color	Loading	Weight
RACSWH100Y	Concrete Mounting	Gold Zinc	10,000 lbf. (44 kN)	2.09 lbs. (.95 kg)

Miller 10,000 lb. (10K) Swivel Hybrid Anchor

Drawings and Measurements



Limitless Possibilities. Ask the Expert.

Technical Service: 800.873.5242
www.millerfallprotection.com

Honeywell Industrial Safety

900 Douglas Pike
Smithfield, RI 02917

USA

Phone: 800.430.5490
Fax: 800.322.1330

Canada

Phone: 888.212.7233
Fax: 888.667.8477

⚠ This equipment should only be used after reading and understanding the manufacturer's instructions. Failure to follow instructions could result in serious injury or fatality.