

## Miller 5,000 lb. (5K) Stainless Steel Swivel Anchors

### Description

Miller 5K Stainless Steel Swivel Anchors are designed to be installed on concrete or steel structures. A variety of installation kits are available to meet your application needs.

### Materials

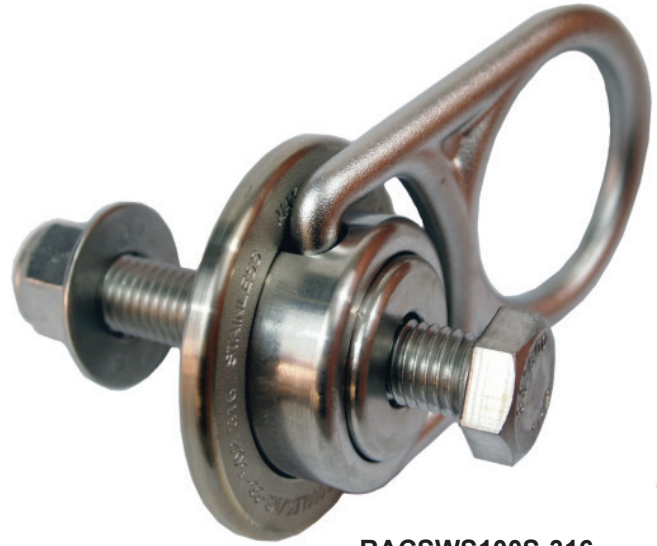
Swivel: Stainless steel

### Technical

Ultimate  
Tensile Strength: 5,000 lbf. (22 kN)  
Maximum User Weight: 310 lbs. (140 kg)  
Working Load: 1,000 lbs. (454 kg)

### Certifications

Meets all ANSI Z359.1-2007, Z359.7-2011 and OSHA 1926.502 requirements

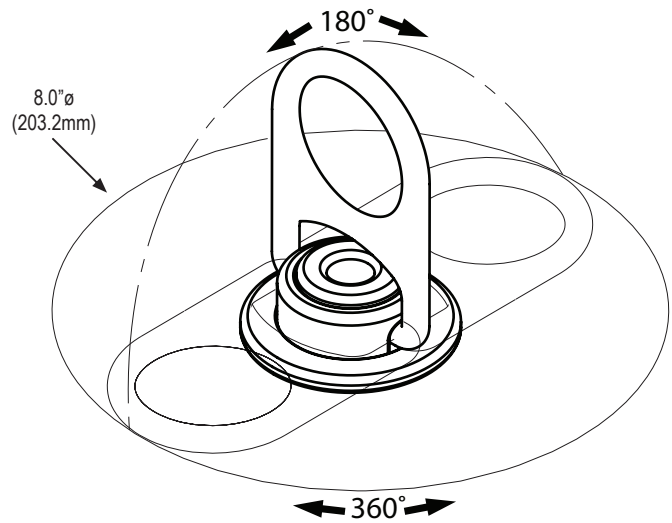
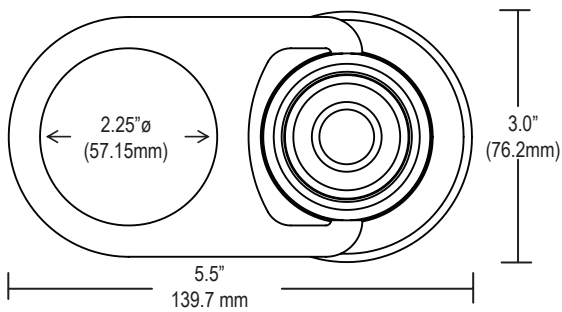
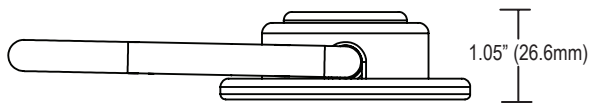


RACSWS100S-316

5,000 lb. (5K) Stainless Steel Swivel Anchors		
Model Number	Description	Weight
RACSWS100N-316	5K stainless steel swivel only (hardware not included)	1.4 lbs. (0.6 kg)
RACSWS100S-316	5K stainless steel swivel anchor with stainless steel mounting hardware	2.0 lbs. (0.9 kg)
RACSWS100C-316	5K stainless steel swivel anchor with concrete mounting hardware - RACDNC-TOOL required (sold separately)	1.9 lbs. (0.9 kg)
RACSWS1SBA-316	Stainless steel mounting hardware only (swivel not included) - 316SS 5/8" X 4" bolt flat washer nylon locknut	N/A
RACSWS1DNC-316	Concrete mounting hardware only (swivel not included)	N/A
RACDNC-TOOL	Concrete bolt assembly tool	0.7 lbs. (0.3 kg)
RACSWP100N-316	Weld kit for RACSWS100N-316 - Puck with 5/8"-11" thread & 5/8"-11" x 1.75" grade 8 hexagonal head bolt	3.7 lbs. (1.7 kg)

# Miller 5,000 lb. (5K) Stainless Steel Swivel Anchors

## Drawings and Measurements



**Limitless Possibilities. Ask the Expert.**

Technical Service: 800.873.5242  
[www.millerfallprotection.com](http://www.millerfallprotection.com)

**Honeywell Industrial Safety**

900 Douglas Pike  
Smithfield, RI 02917

**USA**

Phone: 800.430.5490  
Fax: 800.322.1330

**Canada**

Phone: 888.212.7233  
Fax: 888.667.8477

**⚠** This equipment should only be used after reading and understanding the manufacturer's instructions. Failure to follow instructions could result in serious injury or fatality.