

# Miller 5,000 lb. (5K) Drop-Through Swivel

## Description

A removeable and reusable 6 ft. (1.8 m) 5K drop through anchor designed for overhead applications. Cable length determined by customers' needs.

## Materials

Plate: Coated Steel  
Swivel Ring: Zinc plated steel  
Cable: Aircraft cable  
Tubing: Polyurethane

## Technical

UTS: 5,000 lbf. (22 kN)  
Maximum  
User Weight: 310 lbs. (140 kg)  
Working Load: 1,000 lbs. (454 kg)



RACDTA-5K/6FT

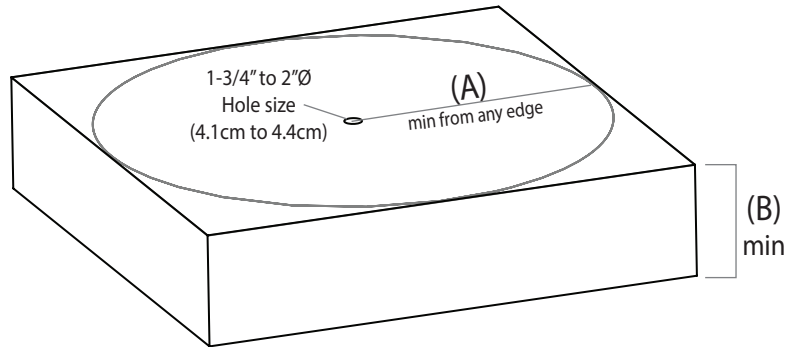
## Certifications

Meets all ANSI Z359.1-2007, Z359.7-2011 and OSHA 1926.502 requirements.

5,000 lb. (5K) Drop-Through Swivel Anchors		
Model Number	Anchor Plate Description	Weight
RACDTA-5K/6FT	4 in. (10 cm) round plate and swivel	1.6 lbs. (0.7 kg)
RACDTA-5K6/6FT	6 in. (15 cm) square plate and swivel	2.6 lbs. (1.2 kg)
RACDTA-5K12/6FT	12 in. (30 cm) square plate and swivel	9.0 (4.1 kg)

# Miller Drop-Through Swivel Anchors

## Drawings and Measurements



**HOLE REQUIREMENT CHART**

Material	(A)'' Minimum distance from edge/corner	(B)'' thickness
Concrete	12 in. (30.5 cm)	4 in. (10 cm)
Steel	4 in. (10 cm)	1/4 in. (.635 cm)



by Honeywell

Toll Free 800.873.5242 (press 4) • [hsptechsupport@honeywell.com](mailto:hsptechsupport@honeywell.com) • [www.millerfallprotection.com](http://www.millerfallprotection.com)

**⚠ WARNING!** THIS DOCUMENT PROVIDES AN OVERVIEW OF FALL PROTECTION PRODUCTS AVAILABLE FROM HONEYWELL AND CARE HAS BEEN TAKEN TO ASSURE THE ACCURACY OF THE DATA. IT DOES NOT PROVIDE IMPORTANT PRODUCT WARNINGS AND INSTRUCTIONS. HONEYWELL RECOMMENDS ALL USERS OF FALL PROTECTION EQUIPMENT UNDERGO THOROUGH TRAINING, AND THAT ALL WARNINGS AND INSTRUCTIONS PROVIDED WITH THE PRODUCTS BE THOROUGHLY READ AND UNDERSTOOD PRIOR TO EACH USE. FAILURE TO READ AND FOLLOW ALL PRODUCT WARNINGS AND INSTRUCTIONS COULD RESULT IN SERIOUS INJURY OR DEATH.