

# Miller SafEscape™ ELITE Rescue Descent Device (RDD)

## Description

The Miller SafEscape ELITE is a Rescue Descent Device, providing automatic, controlled descent in emergency situations.

## Materials

<b>Housing:</b>	Anodized Aluminum
<b>Hoisting Wheel:</b>	Glass Reinforced Nylon
<b>Anchorage Ring:</b>	Stainless Steel
<b>Pigtail:</b>	Stainless Steel
<b>Rope Drum:</b>	Aluminum
<b>Fasteners:</b>	Stainless Steel
<b>Shaft &amp; Gears:</b>	Stainless Steel
<b>Bushings:</b>	Bronze
<b>Lifeline:</b>	10.5 mm Polyamide Kermantle Rope
<b>Ladder Bracket:</b>	Aluminum
<b>Carabiner:</b>	Zinc Plated Steel



## Technical

<b>Descent Loads:</b>	1 person 66 – 330 lbs (30- 150kg)
	2 person 66 – 551 lbs (30 -250kg)
	2 person 66 – 496 lbs (30 – 225kg) when tested to CSA

<b>Max. Descent Height:</b>	1 person 1640 ft. (500m)
	2 person 656 ft. (200m)
	1 person 984 ft. (300m) when tested to CSA

### Approved for Single or Multiple Use

<b>Hoisting Capacity:</b>	220 lbs. (100kg) up to 11 ft. (3.5m) max 10 lifts
<b>In Emergency:</b>	617 lbs. (280kg) up to 33 ft. (10m) max 1 lift
<b>In Emergency (when tested to CSA):</b>	496 lbs. (225kg) up to 33 ft. (10m) – max 1 lift

<b>Descent Speed:</b>	3.3 ft./sec (1m/s) at 220 lbs. (100kg)
-----------------------	----------------------------------------

## Kit Weights\*

<b>Wind Energy Kit:</b>	24.6 lbs (11kg)
<b>Crane Rescue Kit:</b>	18.1 lbs (8kg)
<b>Basic Kit:</b>	10.7 lbs (5kg)
<b>Basic Kit w/Hoisting Wheel:</b>	12.3 lbs (6kg)
<b>Basic Kit w/Hoisting Wheel and Ladder Bracket:</b>	16.3 lbs (7kg)

\* Standard lengths start at 50 ft. (23kg) increasing by 25 ft. (11kg) increments up to 300 ft. (136kg). Add .048 lb (.022kg) per ft. to identify weights for longer rope kits. [Kit weights include product only. Weights do not include packaging materials.]

### Additional Weights:

Humidity Resistant	
<b>Storage Case</b>	21.7 lbs. (10kg)
Wind Energy Kit w/Case – 50 feet	
<b>SEWPKTC/50</b>	46.3 lbs. (21kg)
Wind Energy Kit – 50 feet	
<b>SEWPKT/50</b>	24.6 lbs. (11kg)
Crane Rescue Kit – 50 ft	
<b>SECRKT/50</b>	18.1 lbs. (8kg)
SafEscape ELITE RDD	
<b>SE/50</b>	10.7 lbs. (5kg)
SafEscape ELITE RDD w/Wheel	
<b>SEHW/50</b>	12.3 lbs. (6kg)
SafEscape ELITE RDD w/Wheel and Ladder Bracket	
<b>SEHWLB/50</b>	16.3 lbs. (7kg)

### Miller SafEscape Elite RDD Kits

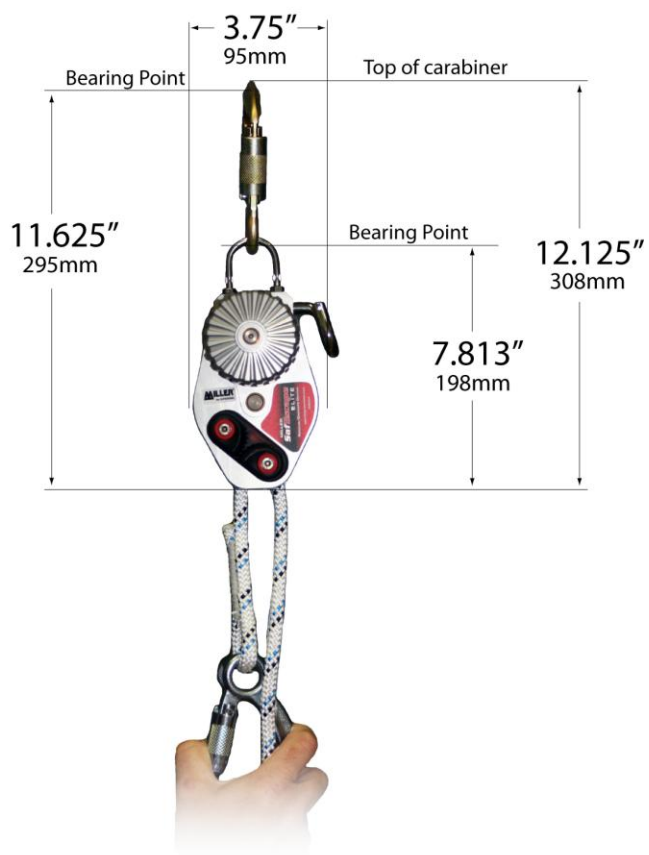
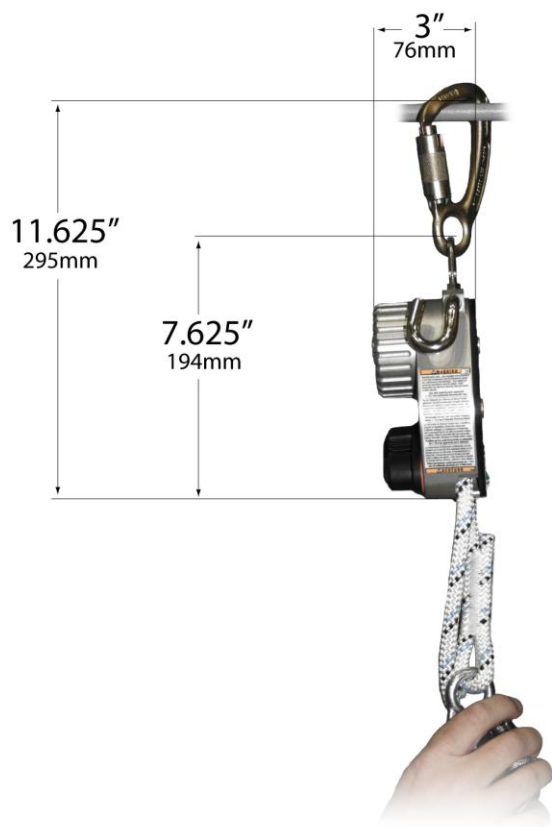
<b>Wind Energy Kit</b> SEWPKT/50FT	Includes SafEscape ELITE RDD, hoisting wheel, ladder bracket, T-bar, edge protector, 3 anchor slings, 3 carabiners, pulley, adjustable rope anchor, rescue rope grab, accessory bag and kit bag
<b>Crane Rescue Kit</b> SECRKT/50FT	Includes SafEscape ELITE RDD, rescue harness, cross-arm strap, retrieval yoke and rescue bag.
<b>Miller SafEscape Elite RDD Basic Models</b>	
<b>Basic Kit</b> SE/50FT	Includes SafEscape ELITE RDD, anchor slings and rescue bag.
<b>Basic Kit w/Hoisting Wheel</b> SEHW/50FT	Includes SafEscape ELITE RDD, hoisting wheel, anchor slings and rescue bag.
<b>Basic Kit w/Hoisting Wheel and Ladder Bracket</b> SEHWLB/50FT	Includes SafEscape ELITE RDD, hoisting wheel, ladder bracket, anchor slings, adjustable rope anchor and rescue bag.

## Certification

OSHA, ANSI/ASSE Z359.4, prEN341:2008/1A, EN1496:2007/B, CE0123, ISO22159:07/1/A, CSA Z259.2.3-12

# Miller SafEscape™ ELITE Rescue Descent Device (RDD)

**Basic Kit**  
SE/50FT



# Miller SafEscape™ ELITE Rescue Descent Device (RDD)



**Basic Kit with  
Hoisting Wheel**  
SEHW/50FT



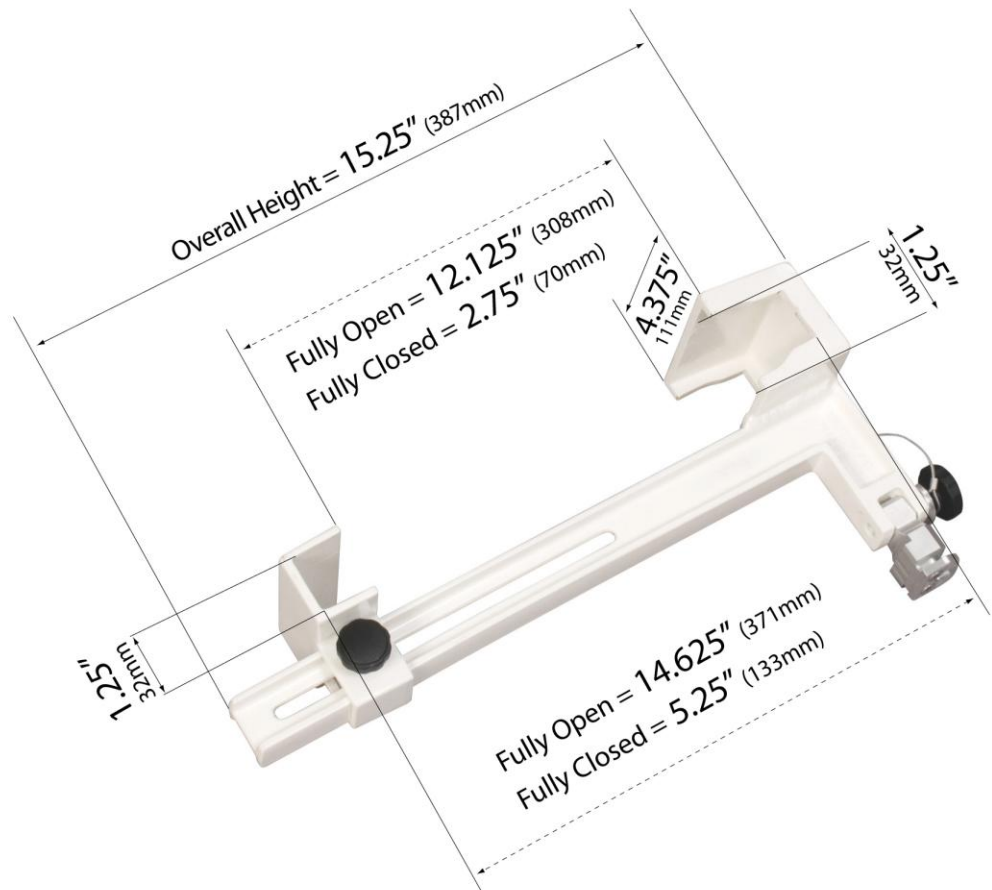
# Miller SafEscape™ ELITE Rescue Descent Device (RDD)



Overall Front of wheel  
to back of bracket  
• 10.563" (268mm)

**Basic Kit with Hoisting  
Wheel & Ladder Bracket**  
SEHWLB/50FT

See dimensions on pg 3 for  
SafEscape ELITE and Wheel



by Honeywell

Toll Free 800.873.5242 (press 4) • [hsptechsupport@honeywell.com](mailto:hsptechsupport@honeywell.com) • [www.millerfallprotection.com](http://www.millerfallprotection.com)

**WARNING!** THIS DOCUMENT PROVIDES AN OVERVIEW OF FALL PROTECTION PRODUCTS AVAILABLE FROM HONEYWELL AND CARE HAS BEEN TAKEN TO ASSURE THE ACCURACY OF THE DATA. IT DOES NOT PROVIDE IMPORTANT PRODUCT WARNINGS AND INSTRUCTIONS. HONEYWELL RECOMMENDS ALL USERS OF FALL PROTECTION EQUIPMENT UNDERGO THOROUGH TRAINING, AND THAT ALL WARNINGS AND INSTRUCTIONS PROVIDED WITH THE PRODUCTS BE THOROUGHLY READ AND UNDERSTOOD PRIOR TO EACH USE. FAILURE TO READ AND FOLLOW ALL PRODUCT WARNINGS AND INSTRUCTIONS COULD RESULT IN SERIOUS INJURY OR DEATH.